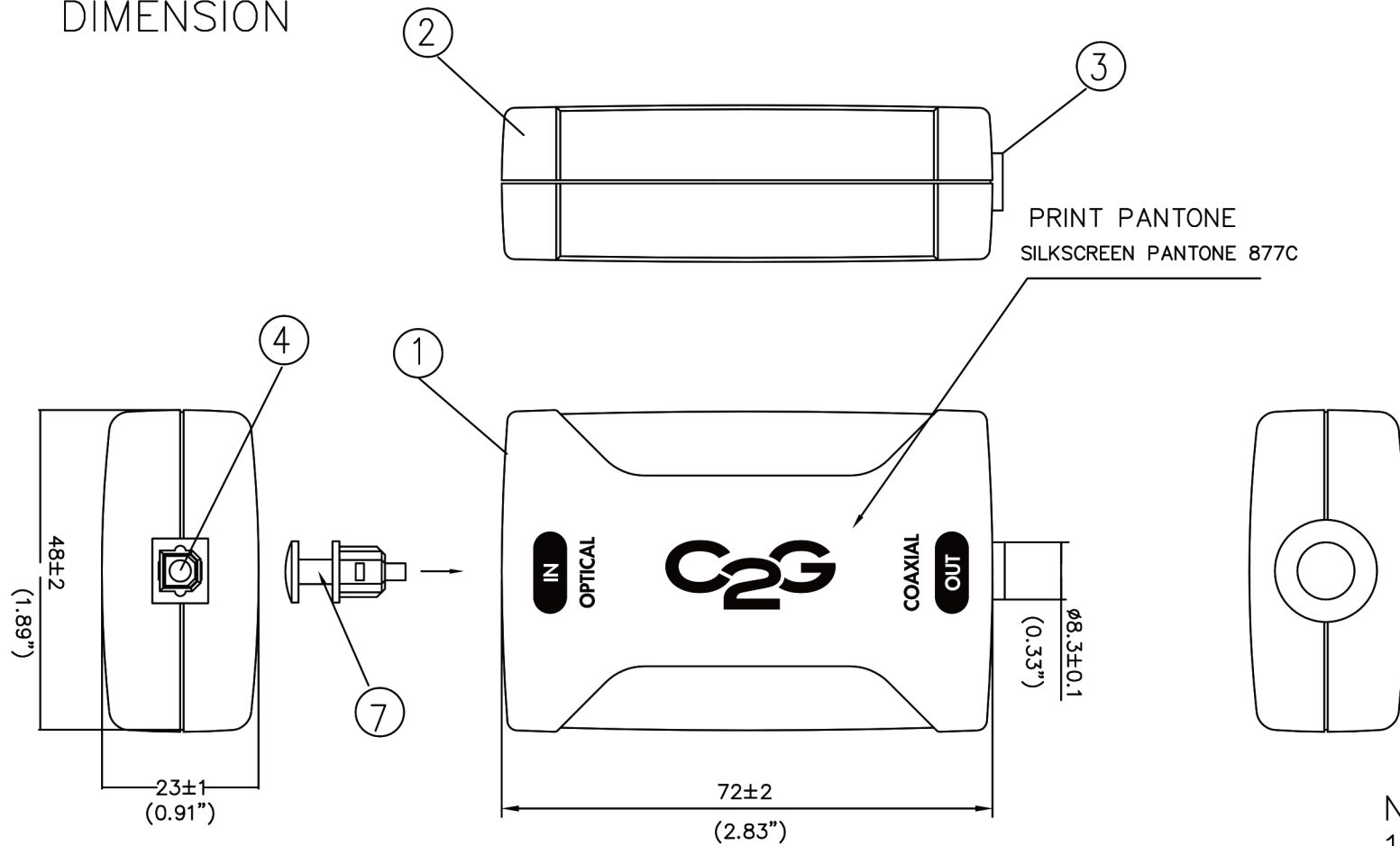
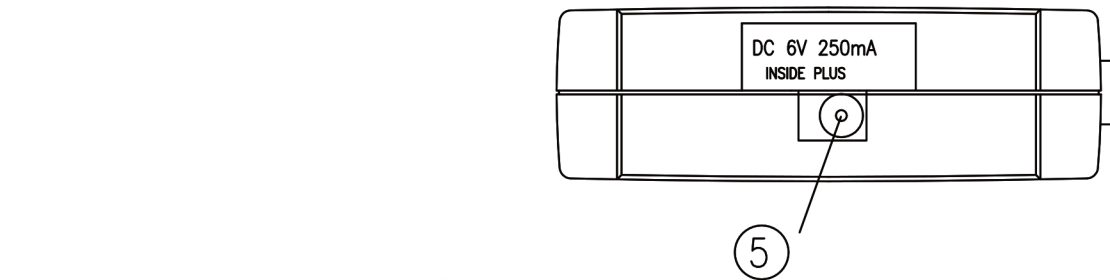


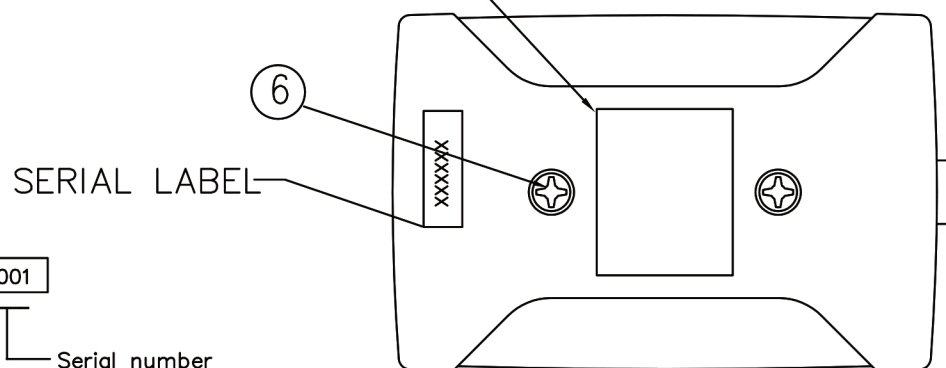
DIMENSION



PRINT PANTONE  
SILKSCREEN PANTONE 877C



PRODUCT LABEL



SERIAL LABEL

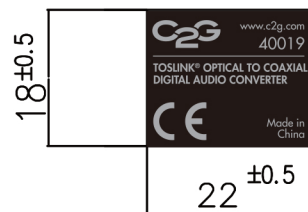
S/N : \*YY 0001

Serial number

YY=Year,2013=13,2014=14,etc.

\*=Month,A=Jan,B=Feb,C=Mar,...L=Dec.

PRODUCT LABEL



REV.	REVISION HISTORY	DATE
∅	INITIAL RELEASE FOR QUOTE	APR. 2, 2013
1	C2G LOGO CHANGE, REPLACE THE ROHS LOGO BY CE MARK	DEC. 5, 2013

PART'S LISTS

NO	DESCRIPTION	MATERIAL	COLOR.FINISHED	REMARK
1	TOP CASE	ABS	PANTONE BLACK C	
2	BOTTOM CASE	ABS	PANTONE BLACK C	
3	RCA JACK	PBT	ORANGE NICKEL PLATED	COAXIAL
4	TOSLINK JACK	PBT	PANTONE BLACK C	RECEIVER
5	DC POWER JACK	PBT	PANTONE BLACK C	
6	SCREW M3*L10	S45C	BLACK NICKEL PLATED	
7	PROTECTIVE CAP	PE	PANTONE BLACK C	

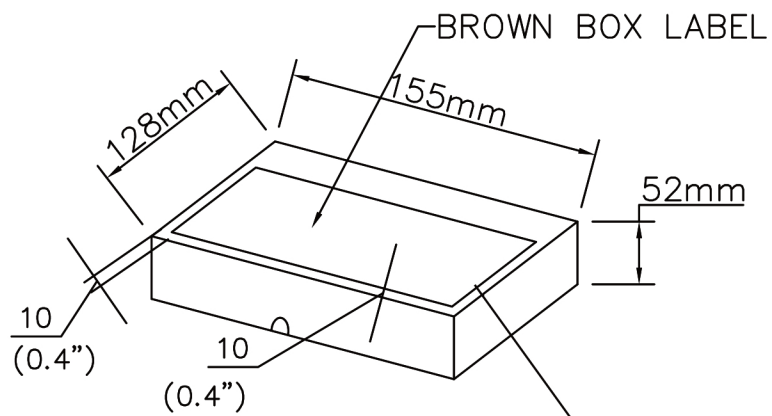
NOTE:

- 1.100% TESTING.
- 2.ALL DIMENSIONS ARE IN MILLIMETERS (INCH).
- 3.PRODUCT IS CE MARKED AND CONFORMS TO 2011/65/EU ROHS 2 .
- 4.CHIPSET: HITACHI HD74HC04P .
- 5.MEAN TIME BETWEEN FAILURE (MTBF) : 15000 HOURS .
- 6.OPERATING TEMP : -10°C TO 60 °C .
- 7.STORAGE TEMP : -20°C TO 70 °C .
- 8.OUTPUT SIGNAL :  $\geq 0.5V$  p-p / 75Ω LOAD
- 9.TRANSMISS LOSS OPTICAL OUTPUT LEVEL 10 uW min
- 10.POWER ADAPTER:INPUT 100~240VAC,50-60HZ OUTPUT 6V 250mA  
TIP SIZE:OD4.0 ID 1.7mm ,CABLE LENGTH: 6FT  
MECHANICAL DIMENSION:L60\*W41\*H32mm

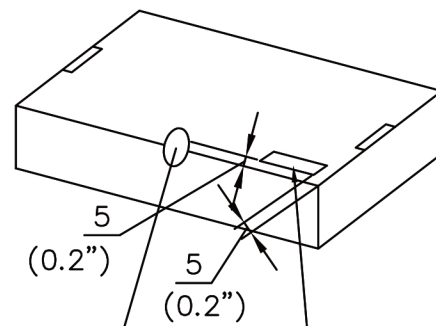
MANUFACTURED IN CHINA



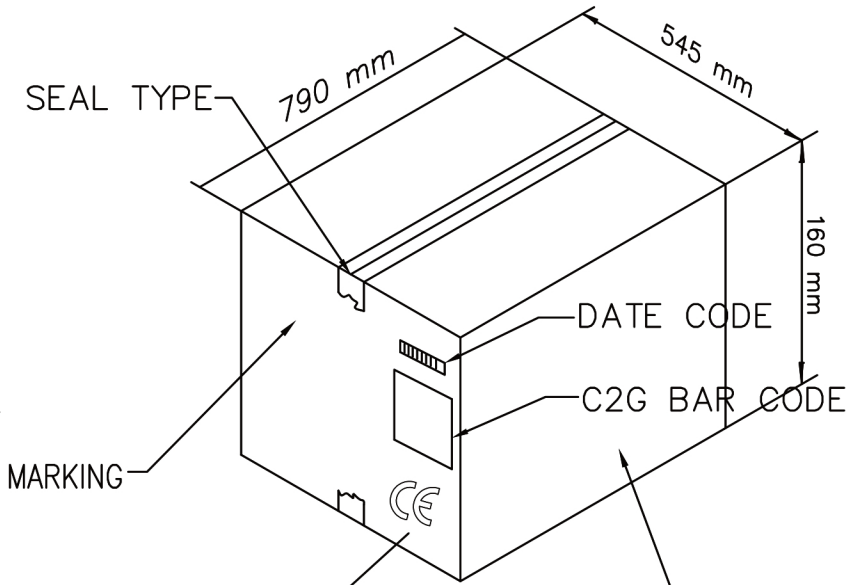
DRAWING APPROVED		Michael Fenning	
<small>PROPRIETARY &amp; CONFIDENTIAL. THE INFORMATION CONTAINED IN THIS DRAWING IS THE SOLE PROPERTY OF CABLES TO GO. ANY REPRODUCTION IN PART OR AS A WHOLE WITHOUT THE WRITTEN PERMISSION OF CABLES TO GO IS PROHIBITED.</small>			
 SCALE: mm NONE	 SHEET: 1/2	TITLE Optical Toslink to Digital Coax Audio Converter CUS. NAME	 an INFINITI brand
DIMENSIONAL TOLERANCES UNLESS OTHERWISE NOTED X± =0.5 (0.020") .XX± =0.100 (0.03") XXX± =0.050 (0.001") ANGLE±		Part No 47-450-001	ENG. DATE CHECKED DATE APPROVED DATE
<input type="checkbox"/> D <input type="checkbox"/> S	REV. CUS. REV.	DWG. NO.	DATE



FRONT SIDE



BOTTOM SIDE



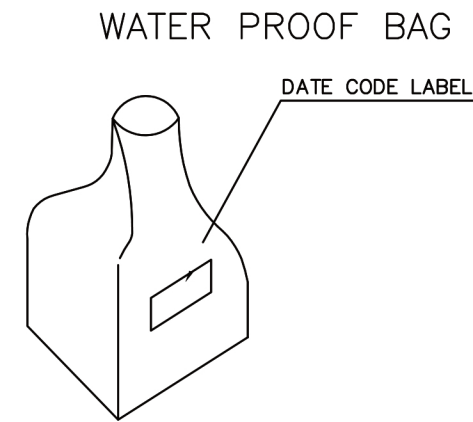
SEAL TYPE, DATE CODE, C2G BAR CODE, SIDE MARKING, CE LOGO (PRINTED OR LABEL), FRONT MARKING



ACCESSORY BILL OF MATERIAL

ITEM	Q'TY	MFG/LASTAR SKU#	DESCRIPTION
1	1	98011	POWER ADAPTER

- PACKAGING CONTENTS:
1. BROWN BOX (XS SIZE)
  2. USER MANUAL
  3. U.S. POWER ADAPTER
  4. DATE CODE LABEL
  5. C2G BAR CODE LABEL
  6. WATER PROOF BAG
  7. CE LABEL

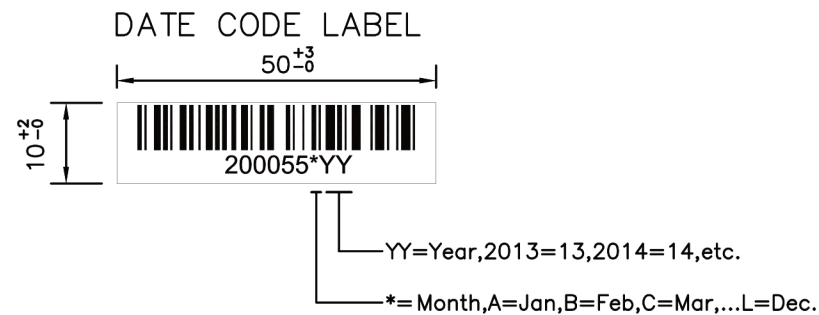


WATER PROOF BAG

DATE CODE LABEL

MASTER CARTON  
QTY: 50 PCS  
CARTON MARKINGS

SIDE MARKING	FRONT MARKING
PO#: P/N: Q'TY: PCS N. W.: KGS G. W.: KGS Cu Ft :	<div style="text-align: center;"> </div> (PLACE OF DELIVERY) P/O C/NO MADE IN CHINA



DATE CODE LABEL

DRAWING APPROVED

PROPRIETARY & CONFIDENTIAL. THE INFORMATION CONTAINED IN THIS DRAWING IS THE SOLE PROPERTY OF CABLES TO GO. ANY REPRODUCTION IN PART OR AS A WHOLE WITHOUT THE WRITTEN PERMISSION OF CABLES TO GO IS PROHIBITED.

<input type="checkbox"/> D <input type="checkbox"/> S	mm NTS 2/2 DIMENSIONAL TOLERANCES UNLESS OTHERWISE NOTED XXX ± =0.050 (0.001") ANGLES ± REV. A CUS REV.	TITLE Optical Toslink to Digital Coax Audio Converter CUS. NAME Part No. 47-450-001 DWG. NO. CUS REV.	 an INFINITO brand ENG. DATE CHECKED DATE APPROVED DATE
--	--	--	---